

seat

The 'throne' can be made from $\frac{3}{4}$ " ply, screwed together to make a box, with a top. Then place a wooden toilet seat on top, mark the inside hole, then cut out a hole a little larger than the one you've marked, using a jig-saw. Put silicon sealant on the underside of the seat, then screw through the box and into the seat from below, ensuring obviously that the screws don't protrude through the surface of the seat, which could be very painful.



The removable 'throne' over the chamber in use. When this chamber is full, the seat can be removed via the screws in the 'L' brackets around the base, and it can be re-situated over the empty chamber.

Put a ring of draughtproof strip (to draughtproof windows and doors) on the lid, which makes a seal with the seat when closed, to keep smells in and flies out.

Apply a generous layer of bituminous paint inside the box, ensuring that no bare ply is visible, and then attach the box over the hole in the platform using 'L' brackets, then seal it with a bead of silicon sealant all round.

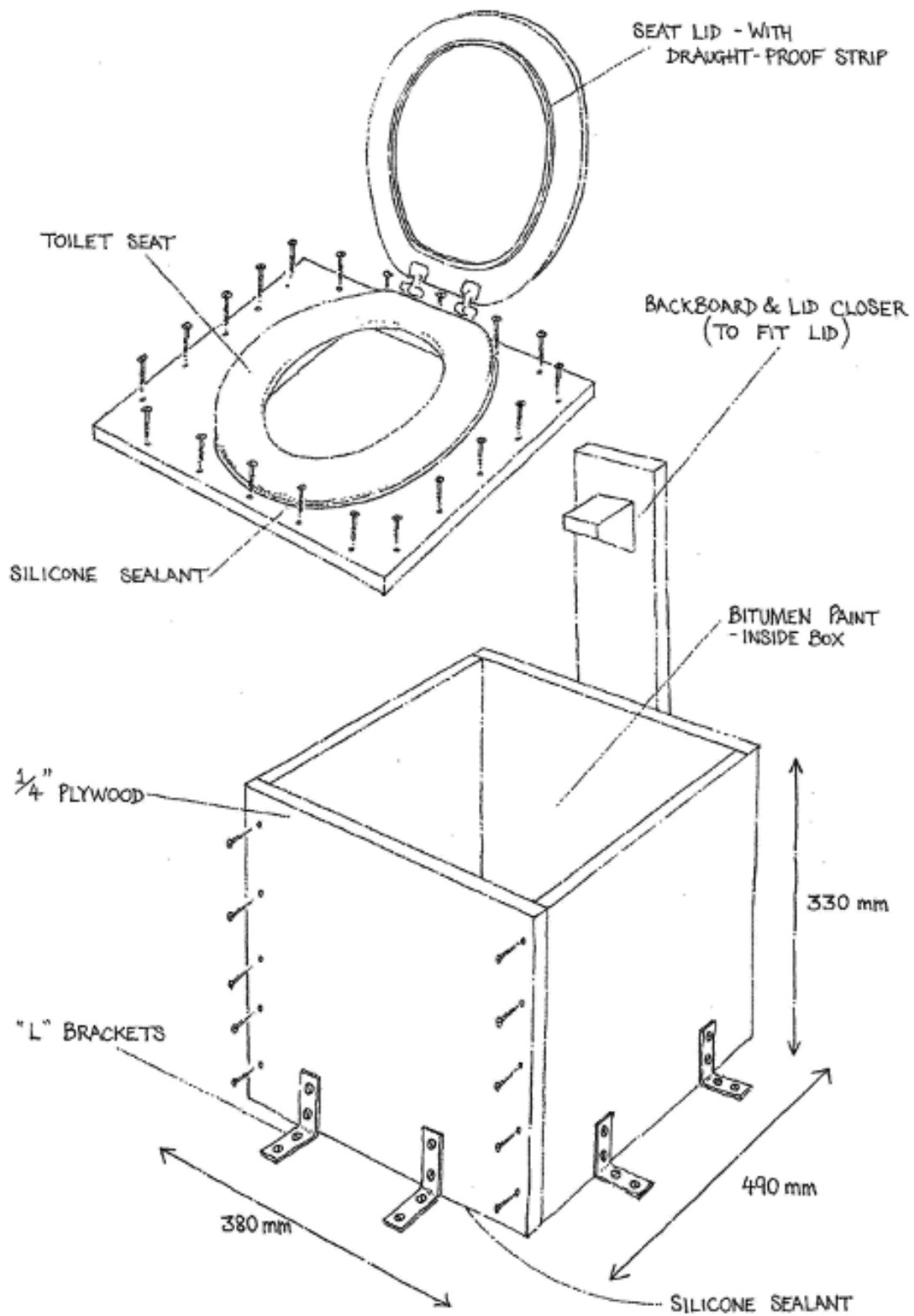
You have to decide the most comfortable height for the box. Most people in the west tend to like it higher than the ideal position for 'evacuation' – which is more of a squatting position. It's up to you.

The bituminous paint inside the box means that you won't be able to see any stains, but the fact that the dimensions of the box are larger than the seat means that nothing should touch the sides on the way down anyway – it should just drop into the darkness and into the chamber.

You could save height by having the seat directly on the platform, and you sit on the edge to use it. You would then almost definitely need to 'peak knock' more, and to push the pile back from the front wall of the chamber.



Here you can see a ring of draught-excluding strip around the lid, to stop smells venting into the room, and to stop flies entering.



Plan for the seat.

lid closer

You will need to keep the lid closed at all times when the toilet is not in use, to keep flies out and smells in. This is very important.

If you and your family / housemates are the only people who will use the toilet, then you may be able to train them to close the lid after use. It may be a bit more difficult with kids, but you have to stress the importance of being absolutely sure to close the lid after every use. You can put a sign on the wall to remind them too.



The lid-closer, positioned behind the toilet lid, allowing it to open to not quite vertical, and so it can't be left open.

Our compost loos are used by lots of people, including visitors, and even though we put signs on the wall, inside the toilet door for people to see when they were leaving, and even on the inside of the lid, it was still left open regularly. So we thought of a way to ensure that the lid can't be left open. We put a back-board on the box, with a piece of wood fixed to it that met the toilet lid at a point where the lid could only ever be opened around 89.9° - in other words, almost vertical, but not quite. This way, when someone has finished using the toilet, the lid falls back down again. The only problem with this is one of comfort – it means that the lid will be touching your back when you use the toilet. This may be fine if you're wearing work clothes, but not if you aren't. A way round this could be to screw two 'eyes' into the side of the lid and the back board, and have a removable hook kept on a ledge above the door – or high enough for kids not to be able to reach it. This is assuming that it's the kids who leave the lid open of course (the kids conveniently get blamed for everything!).

We've been trying to think of some 'Heath Robinson' method of ensuring the lid gets closed, involving pulleys and attachments to door handles etc, so that it's impossible to leave the toilet without closing the lid, unless you climb through the window, or even a lid closer involving a spring on some kind of timer device, but we've been unsuccessful so far.

Of course if the toilet is just for you and your immediate family, you may just train yourself to close the lid, and not require a lid closer.